

WECO AL0038 & AL0039

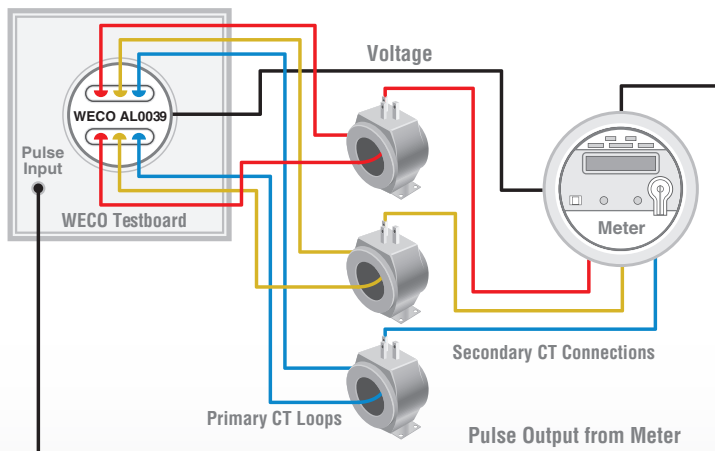
Transformer Rated Meter and CT Lab Test Adapters for use with WECO 4330 and 4150 Test Boards

Overview

PRODUCT HIGHLIGHTS: The AL0038 is a Single Current solution with 3 cables (one per Phase) that are paralleled to drive up to 990* amps. The AL0039 is a Three phase solution which can drive 330* amps per phase. The cable lengths for both of these is 4 feet with a quick connect on one end of each. The test board adapter also has a set of potential wires that are connected to the location in the socket for a form 9S meter.

The new CT test adaptor AL0039 provides Utility metering engineers with the ability to characterize the performance of transformer rated Meters and associated CTs under lab conditions to assist with vendor selection or prior to site deployment. The CT test adaptor is designed to work with WECO 4000 series test boards.

The adaptor application requires that the CTs be of open design, each current cable is looped through the CT simulating the primary, the CT secondary is connected to the meter. The WECO 4330 test sequence is programmed with the specific CT ratio and using the optional Optocom sensor to receive meter Ke/Kh pulses. Any errors represent the combined Meter wiring and CT system performance.



WECO AL0038

Technical Specifications

Electrical Specifications

Current Range	0.010A to 990A* (AL0038 - Single phase) 0.010A to 330A* (AL0039 - Three phase)
Voltage Range	Socket Potential output wired for 9S maximum of 30VAC - 600VAC
Energy Accuracy	As specified by the Radian Standard within the WECO Testboard

Mechanical Specifications

Cable Length	4 ft. (304.8 mm)
Cable Type	4/0 Black Neoprene 2109/30 AWG
Connection Type	Quick Connect Coupler (Proprietary)

* When used with a WECO 4330

For price and delivery information please contact your local sales agent.

Radian Research, Inc.
www.radianresearch.com

3852 Fortune Drive
Lafayette, Indiana 47905

phone 765-449-5500
fax 765-448-4614

R A D I A N
WECO
Power and Energy Measurement Solutions